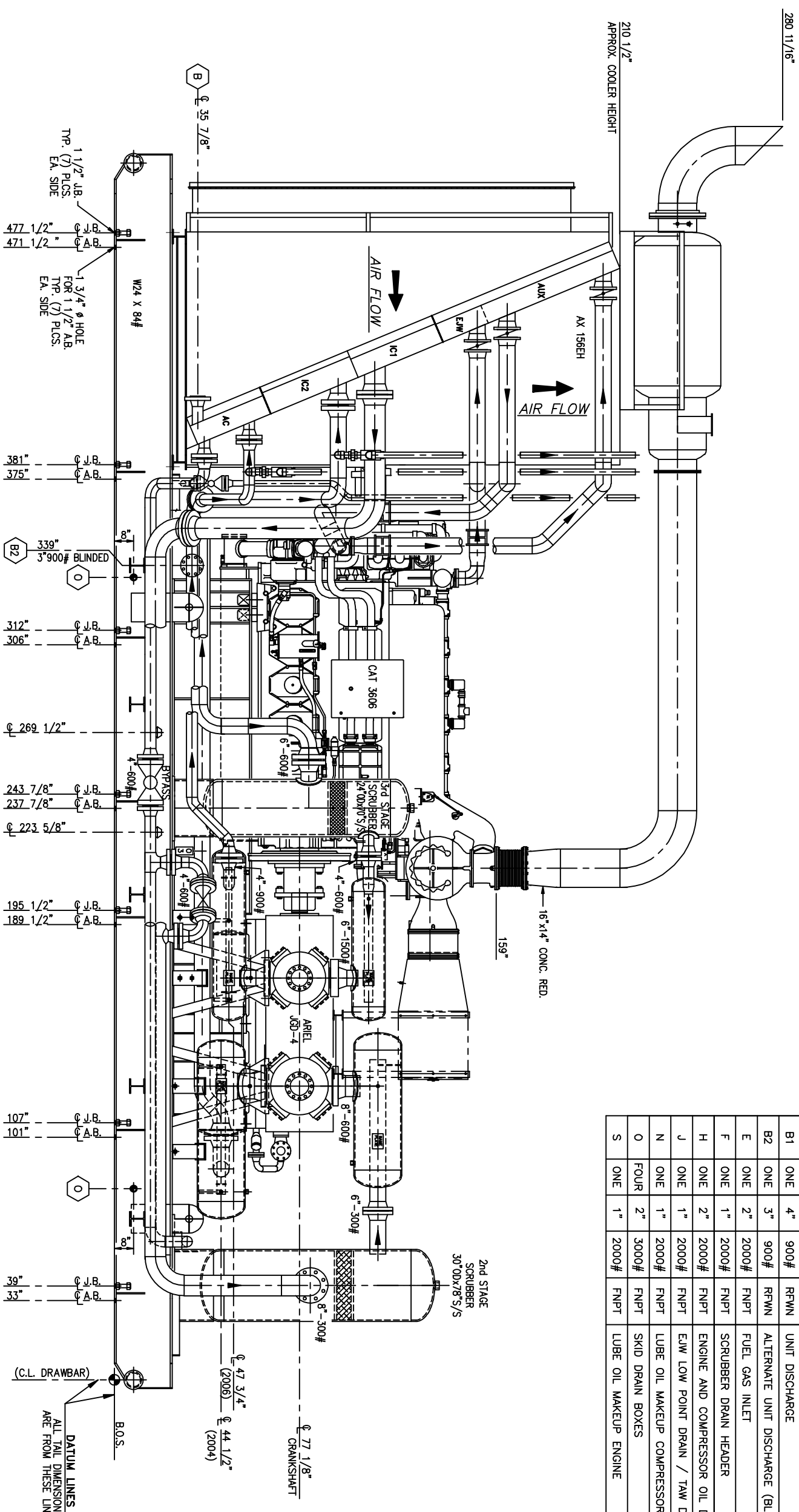


CUSTOMER CONNECTION SCHEDULE						
MARK	QUAN.	SIZE	RATING	TYPE	SERVICE	Q. ELEV. FR. B.O.S.
A	ONE	12"	300#	RFWN	UNIT INLET	82 1/8"
B1	ONE	4"	900#	RFWN	UNIT DISCHARGE	35 7/8"
B2	ONE	3"	900#	RFWN	ALTERNATE UNIT DISCHARGE (BLINDED)	33 5/8"
E	ONE	2"	2000#	FNPT	FUEL GAS INLET	29 9/16"
F	ONE	1"	2000#	FNPT	SCRUBBER DRAIN HEADER	29"
H	ONE	2"	2000#	FNPT	ENGINE AND COMPRESSOR OIL DRAIN	29 9/16"
J	ONE	1"	2000#	FNPT	EW LOW POINT DRAIN / TAW DRAIN	29"
N	ONE	1"	2000#	FNPT	LUBE OIL MAKEUP COMPRESSOR	29"
O	FOUR	2"	3000#	FNPT	SKID DRAIN BOXES	8"
S	ONE	1"	2000#	FNPT	LUBE OIL MAKEUP ENGINE	29"



SOUTH ELEVATION

MAJOR EQUIPMENT	
COMPRESSOR - ARIEL JGD-4	
CYLINDERS - (2) 15 7/8"	
(1) 7 1/4"	
ENGINE - CATERPILLER 3606	
COUPLING - TB. WOODS 750	
COOLER - AIR-X-CHANGERS 156-EH	
PANEL - ALTRONIC	

DO NOT SCALE DRAWING

REV	DESCRIPTION	DRAWN	CHK'D	APPR	DATE
0	ISSUED FOR CONSTRUCTION	JTA	T.A.	BF	9-17-09

Standard Equipment Company
Energy Products and Services, L.P.

JOB No.: 2574, 2575
DRAWN BY: JTA
DATE: 5/30/07

ITEM No. No.:
CHECKED BY:
SCALE: 1/2"=1'-0"

COMPRESSOR GENERAL ARRANGEMENT
SOUTH ELEVATION
CAT 3606 / ARIEL JGD-4
MIDCON
S.E.C. UNITS 2574, 2575

DRW. No.	2574-200-02	SHEET	2	OF	4	REV	0
----------	-------------	-------	---	----	---	-----	---